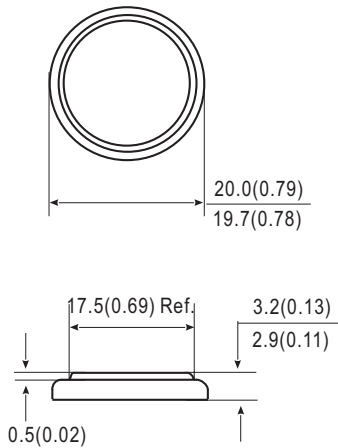


**LITHIUM BUTTON CELL**
**CR2032**

**Dimensions**


Unit:mm(inch)

<b>Chemical System:</b>	Lithium/Manganese Dioxide
<b>IEC Name:</b>	CR 2032
<b>ANSI/NEDA:</b>	5004LC
<b>Camelion Model:</b>	CR2032
<b>Average Weight:</b>	3.1g
<b>Dimension(∅ x H):</b>	20.0 <sup>-0.3</sup> x3.2 <sup>-0.3</sup> mm 0.79 <sup>-0.01</sup> x0.13 <sup>-0.01</sup> inch
<b>Terminals:</b>	Flat
<b>Nominal Voltage:</b>	3.0Volts
<b>Capacity:</b>	220mAh (Rated at 15kΩ to 2.00V)
<b>Standard Discharge Current:</b>	0.2mA
<b>Max. Continuous Discharge Current:</b>	0.5mA
<b>Max. Pulse Discharge Current:</b>	15.0mA
<b>Operating Temperature:</b>	-20°C-60°C
<b>Storage Temperature:</b>	18°C-28°C
<b>Relative Humidity:</b>	60±15%
<b>Cross Reference:</b>	E-CR2032(Energizer) DL2032(Duracell) KECR2032(Rayovac)

**Usage Guide**


Calculator



Remote control



Electronic scales

**Cautions**
**Storage**

Store the battery in a cool, dry and well-ventilated area.

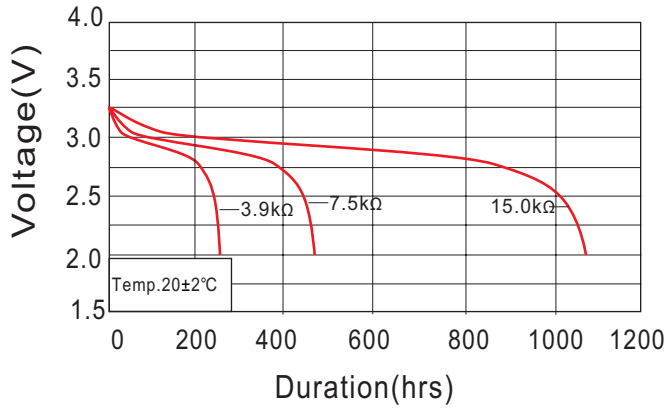
**Handling**

- 1) Never charge the battery. Do not heat or disposed in fire or water. Do not modify or disassemble the battery. Do not short-circuit positive (+) and negative (-) terminals. Keep away from metal or other conductive materials.
- (2) Keep away from infants. If infant happens to swallow the battery, consult a doctor immediately.
- (3) When the battery is stored or disposed, isolate positive (+) and negative (-) terminals of the battery to avoid those terminals touch each other.
- (4) In case the battery electrolyte happen to come into mouth, gargle well enough and consult a doctor immediately.

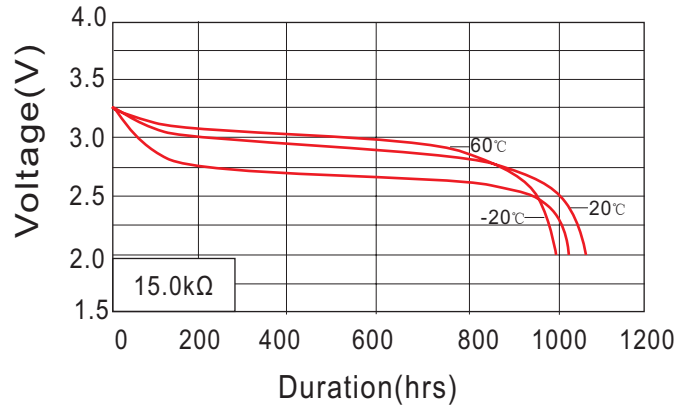
**LITHIUM BUTTON CELL**

**CR2032**

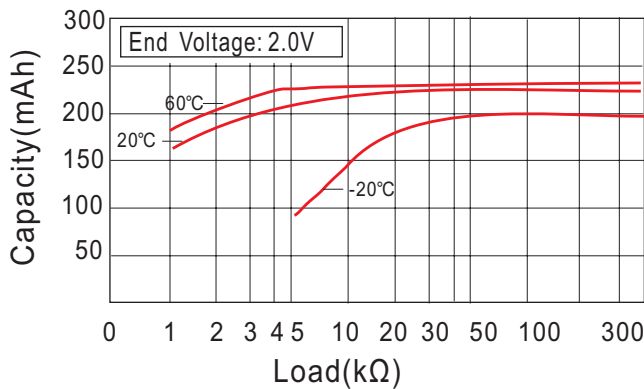
**Discharge Characteristics**



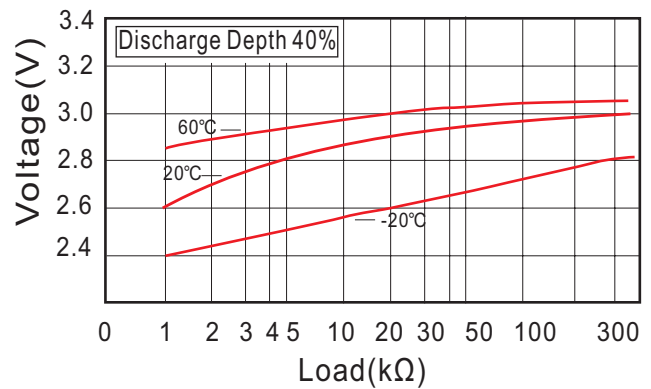
**Temperature Characteristics**



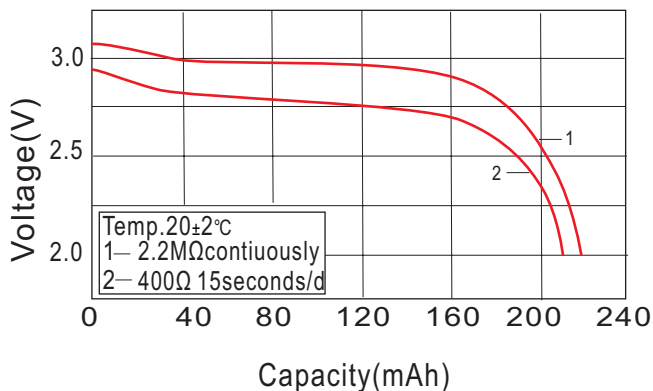
**Load-capacity Characteristic**



**Operating Voltage**



**Pulse Discharge Characteristic**



**Storage Characteristic**

