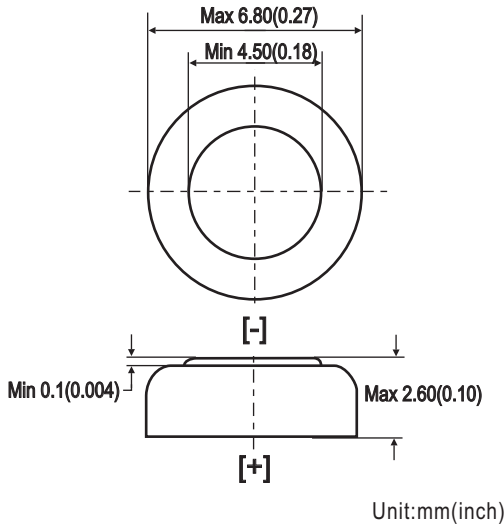


ALKALINE BUTTON CELL

AG4 LR 626



Chemical System : Primary Alkaline

Camelion Model : LR626(AG4)

IEC Name: LR66,

Average Weight : 0.36g

Dimension (Øx H) : 6.80 x2.60mm
(0.27 x0.10inch)

Negative Terminal : Trimetal or steel gold plated

Positive Terminal: Nickel plated steel

Nominal Voltage : 1.5Volts

Nominal Service Capacity: 10.0mAh

(20 °C , Rated at 6.8K Ω to 0.9V)

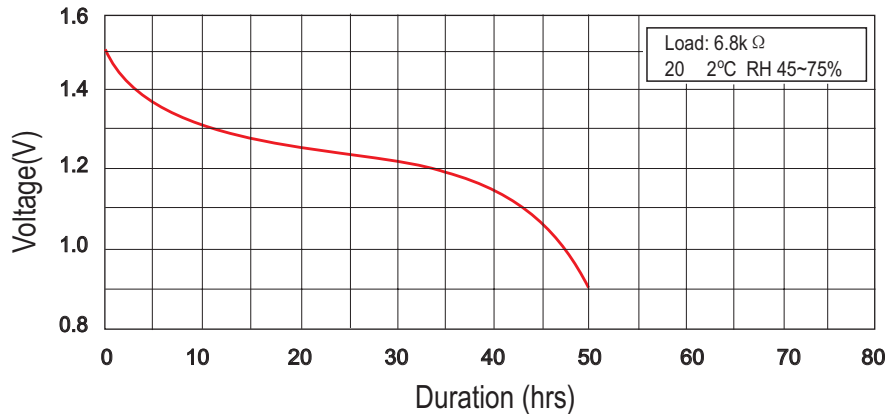
Discharge Current: 0~5.0mA

Cross Reference: 377,L626,V4GA

Discharge Characteristic

Load Resistance	Cut Off Voltage	Discharge Pattern	Starting Drain	Duration
6.8k Ω	0.9V	24hrs/day	0.22mA	50hrs

Discharge Curve



Notice:

This information is subject to change without prior notice and for reference only. It should not be used as a basis for a product guarantee or warranty. For additional information, please consult your nearest Eurobatt Sales Office or Distributor or visit our website at: www.eurobatt.net.