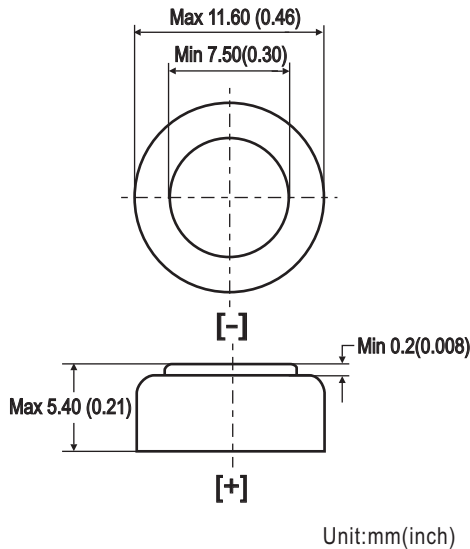


ALKALINE BUTTON CELL

AG13 LR44



Chemical System : Primary Alkaline

Camelion No. : AG 13

IEC Name: LR 44

ANSI/NEDA: 1166A

Average Weight : 1.9g

Dimension (Øx H) : 11.60 x5.40 mm
(0.46 x0.21inch)

Negative Terminal : Trimetal or steel gold plated

Positive Terminal: Nickel plated steel

Nominal Voltage : 1.5Volts

Nominal Service Capacity: 130mAh
(20±2°C , Rated at 1.0K Ω to 0.9V)

Discharge Current: 0~10.0mA

Environmental : No mercury and cadmium
added formulation

Cross Reference: V13GA(Varta), RW82(Rayovac),
A76(Eveready),LR44(Maxcell),
357A(Other)

Discharge Characteristic

Load Resistance	Cut Off Voltage	Discharge Pattern	Starting Drain	Duration
1.0k Ω	0.90V	24hrs/day	1.5mA	100hrs

Discharge Curve

