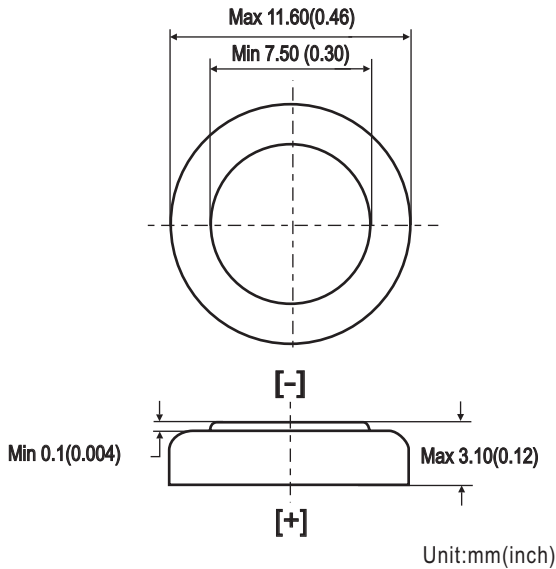


ALKALINE BUTTON CELL

AG10 LR1130



Chemical System : Primary Alkaline

Camelion Model: LR1130(AG10)

IEC Name: LR 54,LR1130

Average Weight : 1.1g

Dimension (Ø x H) : 11.6 x3.10mm
(0.46 x0.12inch)

Negative Terminal : Trimetal or steel gold plated

Positive Terminal: Nickel plated steel

Nominal Voltage : 1.5Volts

Nominal Service Capacity: 70.0mAh

(20 °C , Rated at 1.0KΩ to 0.9V)

Discharge Current: 0~10.0mA

Cross Reference: V10GA(Varta), RW89(Rayovac),
189(Eveready),LR1130(Maxcell),
389A,1168A,GP89A

Discharge Characteristic

Load Resistance	Cut Off Voltage	Discharge Pattern	Starting Drain	Duration
1.0kΩ	0.9V	24hrs/day	1.5mA	46hrs

Discharge Curve

