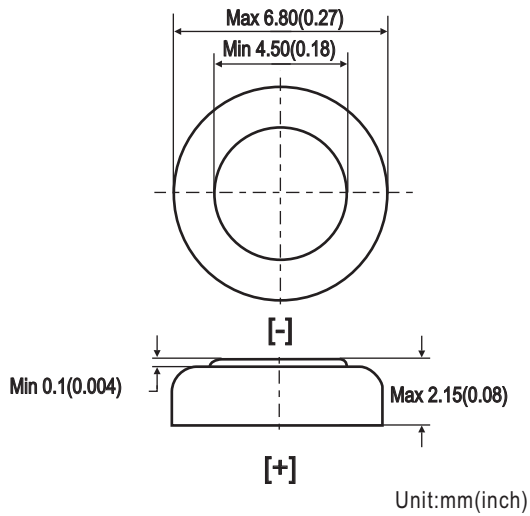


## ALKALINE BUTTON CELL

# AG1 LR 621



**Chemical System :** Primary Alkaline

**Camelion Model :** LR621 (AG1)

**IEC Name:** LR 60

**Average Weight :** 0.28g

**Dimension (∅x H) :** 6.6 x2.15mm  
( 0.27 x0.08inch)

**Negative Terminal :** Trimetal or steel gold plated

**Positive Terminal:** Nickel plated steel

**Nominal Voltage :** 1.5Volts

**Nominal Service Capacity:** 10.0mAh

(20 °C , Rated at 6.8K Ω to 0.9V)

**Discharge Current:** 0~5.0mA

**Cross Reference:** 364A,L621,V1GA

## Discharge Characteristic

Load Resistance	Cut Off Voltage	Discharge Pattern	Starting Drain	Duration
6.8k Ω	0.9V	24hrs/day	0.22mA	45hrs

## Discharge Curve

