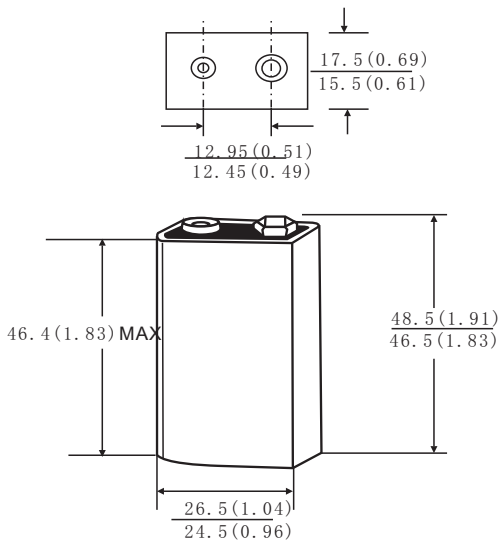


PLUS ALKALINE BATTERY

9V 6LF22



Dimensions



Unit:mm(inch)

Chemical System:	Alkaline (Zn/MnO ₂) Zinc-Manganese Dioxide
IEC Name:	6LR61
ANSI/NEDA:	1604A(9V)
Camelion Model:	6LR61-Plus
Average Weight:	45.3g
Dimension(∅ x H):	25.5 ^{±1} x 16.5 ^{±1} x 47.5 ^{±1} mm 1.00 ^{±0.04} x 0.65 ^{±0.04} x 1.87 ^{±0.04} inch
Terminals:	Flat
Nominal Voltage:	9.0Volts
Capacity:	550mAh (Rated at 5mA to 4.8V)
Operating Temperature:	-18°C-55°C
Storage Temperature:	15°C-25°C
Relative Humidity:	60±15%
Jacket :	Aluminum Foil Label

Usage Guide



Multimeter



Microphone



Smoke Detector

Cautions

Storage

Store the battery in a cool, dry and well-ventilated area.

Handling

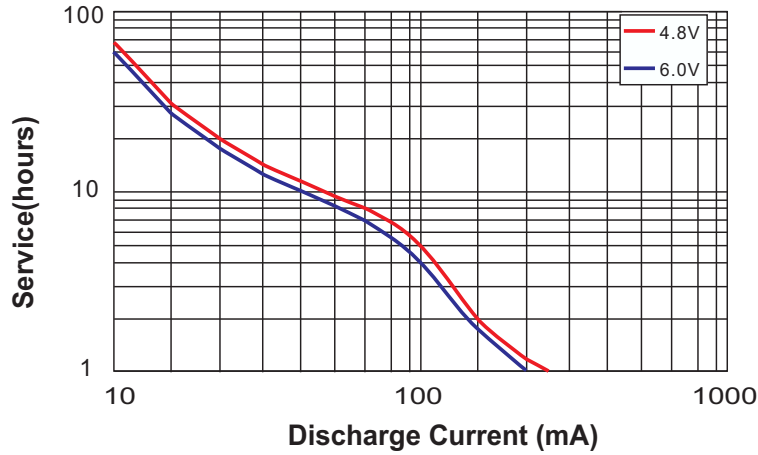
- (1) Never charge the battery. Do not heat or disposed in fire or water. Do not modify or disassemble the battery. Do not short-circuit positive (+) and negative (-) terminals. Keep away from metal or other conductive materials.
- (2) Keep away from infants. If infant happens to swallow the battery, consult a doctor immediately.
- (3) Do not mix use old batteries with new ones, or mix use batteries of different types or brands
- (4) In case the battery electrolyte happen to come into mouth, gargle well enough and consult a doctor immediately.

PLUS ALKALINE BATTERY

9V 6LF22

Constant Current Discharge

Typical Characteristics at 21°C



IEC Standard Testing

Typical Characteristics 21°C

